

## BT / BTT / BTI

## BT parts



nr	description	datum	65	85	100
1	Flue baffle	before 31-1-'07 after 1-2-'07	0301340(S) 0301340(S)	0070239(S) 4x 0196172001(S)	0301429(S) 4x 0196172001(S)
2	Magnesium anode Flexible magnesium anode		0183463039(S) 0304728(S)	0183463039(S) 0304728(S)	0183463050(S) 0304728(S)
3	Hot water outlet nipple		0301022(S)	0301022(S)	0301022(S)
4	Burner		0301398(S)	0301399(S)	0301400(S)
5	Burner tube		0300937(S)	0301839(S)	0301839(S)
6	Thermo couple		0071872(S)	0071872(S)	0071872(S)
7	Ignition cable		0303927(S)	0303927(S)	0303927(S)
8	Ignition electrode		0071608(S)	0071608(S)	0071608(S)
9	Gas Control (NAT-gas) Gas Control (LP-gas) Gas Control (NAT-gas+LP-gas) (FR/BE only)		0300949(S) 0301914(S) 0301914(S)	0300949(S) 0301914(S) 0301914(S)	0300949(S) 0301914(S) 0301914(S)
10	Piezo ignition		0307596(S)	0307596(S)	0307596(S)
11	Gasket inspection opening		0301136(S)	0301136(S)	0301136(S)
12	Cold water inlet		0184812(S)	0194132029(S)	0194134030(S)
13	Thermostat roll-out protection	1-10-'93 till 4-10-'98 5-10-'98 till 6-11-'02 7-11-'02 1-10-'93 till 31-10-'98 1-11-'98 till 27-2-'03 28-2-'03 till 30-6-'07 after 1-7-'07	0071587(S) 0301275(S) 0305347(S) - - -	- - - 0071587002(S) 0301274(S) 0305346(S) 0308237(S)	- - - 0071587002(S) 0301274(S) 0305346(S) 0308237(S)
14	Thermostat roll-out protection cable Complete pilot burner assy (NAT-gas) Complete pilot burner assy (LP-gas)		0305346(S) 0301820(S) 0304586(S)	0305346(S) 0301820(S) 0304586(S)	0305346(S) 0301820(S) 0304586(S)

## BTT parts

nr	description	datum	65	85	100
1	Flue baffle	before 31-1-'07 after 1-2-'07	0301340(S) 0301340(S)	0070239(S) 4x 0196172001(S)	0301429(S) 4x 0196172001(S)
2	Magnesium anode Flexible magnesium anode		0183463039(S) 0304728(S)	0183463039(S) 0304728(S)	0183463050(S) 0304728(S)
3	Hot water outlet nipple		0301022(S)	0301022(S)	0301022(S)
4	Burner		0301398(S)	0301399(S)	0301400(S)
5	Safety valve	before 31-8-'08 after 1-9-'08	0309104(S) 0309112(S)	0309105(S) 0309112(S)	0309105(S) 0309112(S)
6	Thermo couple		0071872(S)	0071872(S)	0071872(S)
7	Ignition cable		0303927(S)	0303927(S)	0303927(S)
8	Ignition electrode		0071608(S)	0071608(S)	0071608(S)
9	Gas Control (NAT-gas) Gas Control (LP-gas)		0300949(S) 0301914(S)	0300949(S) 0301914(S)	0300949(S) 0301914(S)
10	Piezo ignition		0307596(S)	0307596(S)	0307596(S)
11	Gasket inspection opening		0301136(S)	0301136(S)	0301136(S)
12	Cold water inlet		0184812(S)	0194132029(S)	0194134030(S)
13	Thermostat roll-out protection	1-10-'93 till 4-10-'98 5-10-'98 till 6-11-'02 7-11-'02 1-10-'93 till 31-10-'98 1-11-'98 till 27-2-'03 28-2-'03 till 30-6-'07 after 1-7-'07	0071587(S) 0301275(S) 0305347(S) - - -	- - - 0071587002(S) 0301274(S) 0305346(S) 0308237(S)	- - - 0071587002(S) 0301274(S) 0305346(S) 0308237(S)
14	Thermostat roll-out protection cable Complete pilot burner assy (NAT-gas) Complete pilot burner assy (LP-gas)		0305346(S) 0301820(S) 0304586(S)	0305346(S) 0301820(S) 0304586(S)	0305346(S) 0301820(S) 0304586(S)

## BT / BTT / BTI

## BTI parts

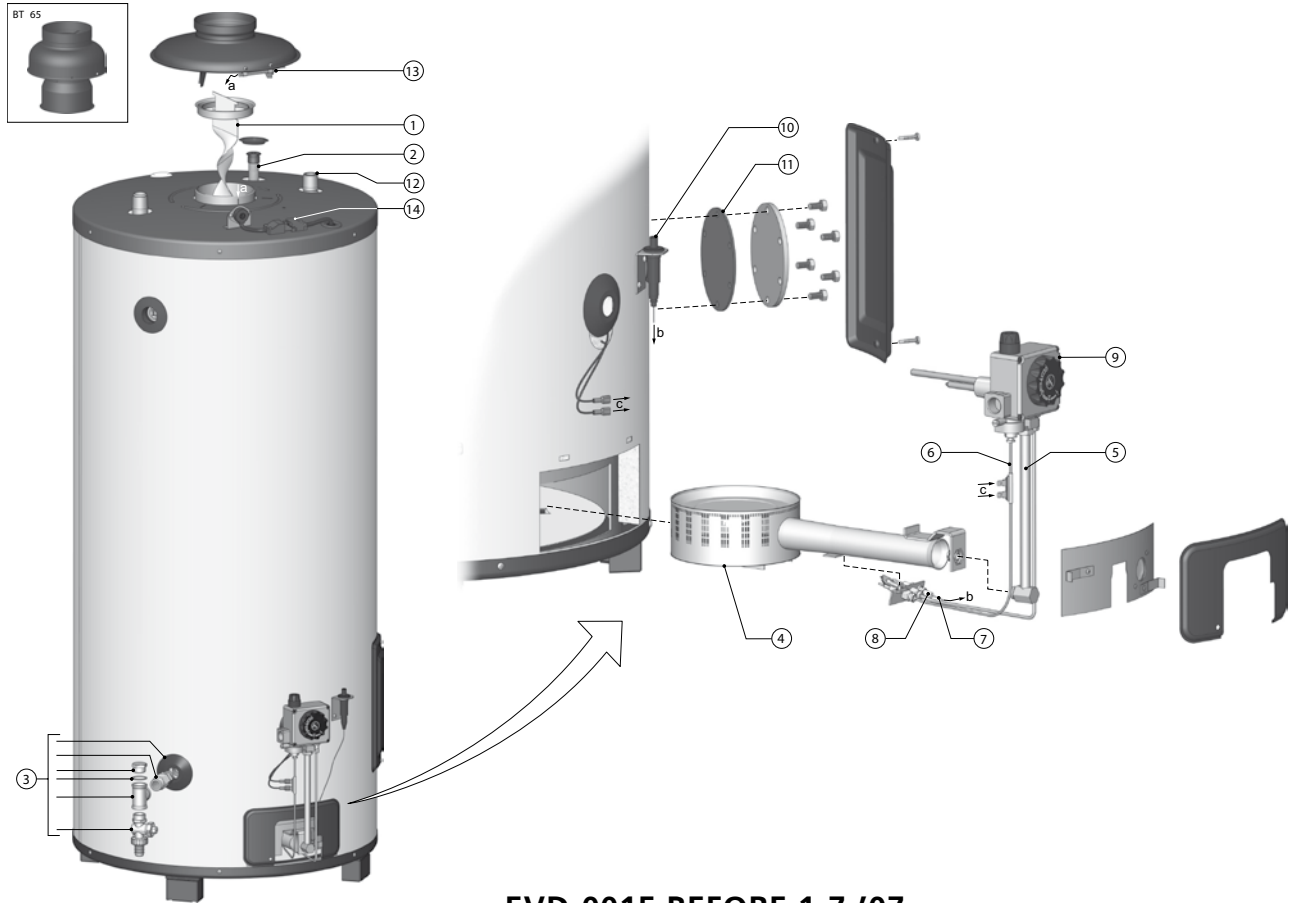


no	description	date	65	85	100
1	Magnesium anode		0183463039(S)	0183463039(S)	0183463050(S)
	Flexible magnesium anode		0304728(S)	0304728(S)	0304728(S)
2	Hot water outlet nipple		0194130002(S)	0194139(S)	0194135(S)
3	Cold water inlet		0184 812(S)	0194132 029(S)	0194134 030(S)
4	Thermostat roll-out protection	before 31-1-'07 after 1-2-'07	0305347(S) 0305347(S)	0305345(S) 0308237(S)	0305345(S) 0308237(S)
5	Gasket inspection opening		0301136(S)	0301136(S)	0301136(S)
6	Burner		0303236(S)	0303237(S)	0303238(S)
7	Ionisation electrode		0301964(S)	0301964(S)	0301964(S)
8	Ionisation cable		0303728(S)	0303728(S)	0303728(S)
9	Ignition electrode		0303685(S)	0303685(S)	0303685(S)
10	Ignition cable		0303729(S)	0303729(S)	0303729(S)
11	Burner tube		0303094(S)	0303481(S)	0303481(S)
12	Switch ON/OFF		0303010(S)	0303010(S)	0303010(S)
13	Immersion well		0307545(S)	0307545(S)	0307545(S)
14	Safety thermostat	before 31-1-'06 after 1-2-'06	0307572(S) 0307557(S)	0307572(S) 0307557(S)	0307572(S) 0307557(S)
15	Control thermostat		0303031(S)	0303031(S)	0303031(S)
16	Compression fitting		0303150(S)	0303150(S)	0303150(S)
17	Reset button		0301948(S)	0301948(S)	0301948(S)
18	Gas control		0303022(S)	0303022(S)	0303022(S)
19	Elbow flange		0303026(S)	0303026(S)	0303026(S)
20	Automatic burner control		0303023(S)	0303023(S)	0303023(S)
21	Cover		0303025(S)	0303025(S)	0303025(S)
22	Thermostat roll-out protection - connection cable		0305346(S)	0305346(S)	0305346(S)
23	Flue baffle	before 31-1-'07 after 1-2-'07	0301340(S) 0301340(S)	0070239(S) 4x 0196172001(S)	0301429(S) 4x 0196172001(S)
24	Drain valve kit		0301022(S)	0301022(S)	0301022(S)
	Pilot burner (NAT-gas)		0303472(S)	0303472(S)	0303472(S)
	Pilot burner (LP-gas)		0303473(S)	0303473(S)	0303473(S)

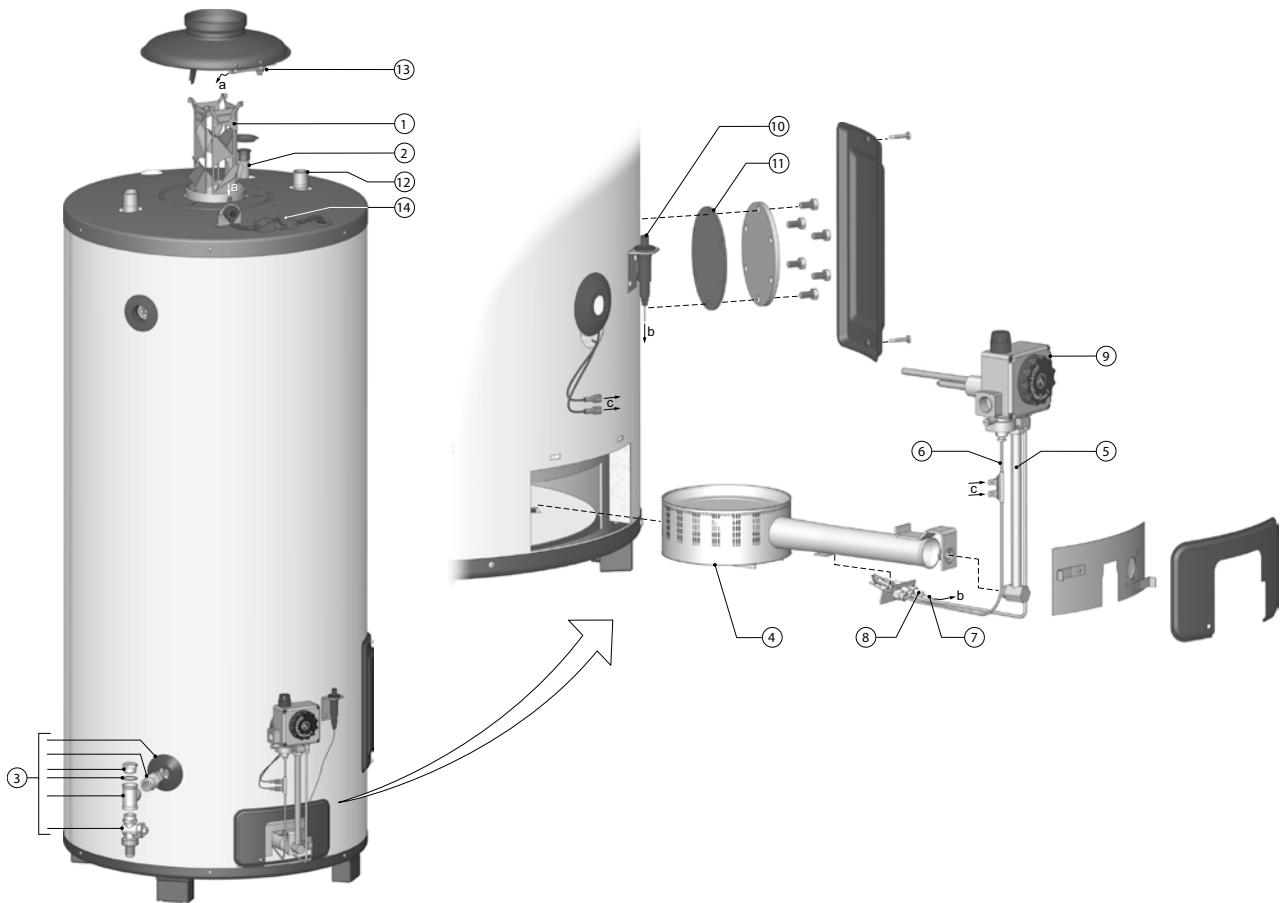
## BTI accessories

description	date	BTI 65	BTI 85	BTI 100
Conversion kit to LP-gas	before 30-6-'07	Part numbers on request		
Conversion kit to NAT-gas	after 1-7-'07	Part numbers on request		
Cleaning opening set		0305082(S)	0305082(S)	0305082(S)
Protected cold supply setup 3/4" sfr		0302706(S)	0302706(S)	0302706(S)
Power anode kit	after 1-8-'06	0308015(S)	0308015(S)	0308015(S)
Gas Cock		0300718(S)	0300718(S)	0300718(S)
Expansion valve		0305712(S)	0305712(S)	0305712(S)
T&P valve NO WRAS		0076527004(S)	0076527004(S)	0076527004(S)
Dscale application set		0307564(S)	0307564(S)	0307564(S)
Dscale bottle set		0309217(S)	0309217(S)	0309217(S)

# Exploded view BT / BTT

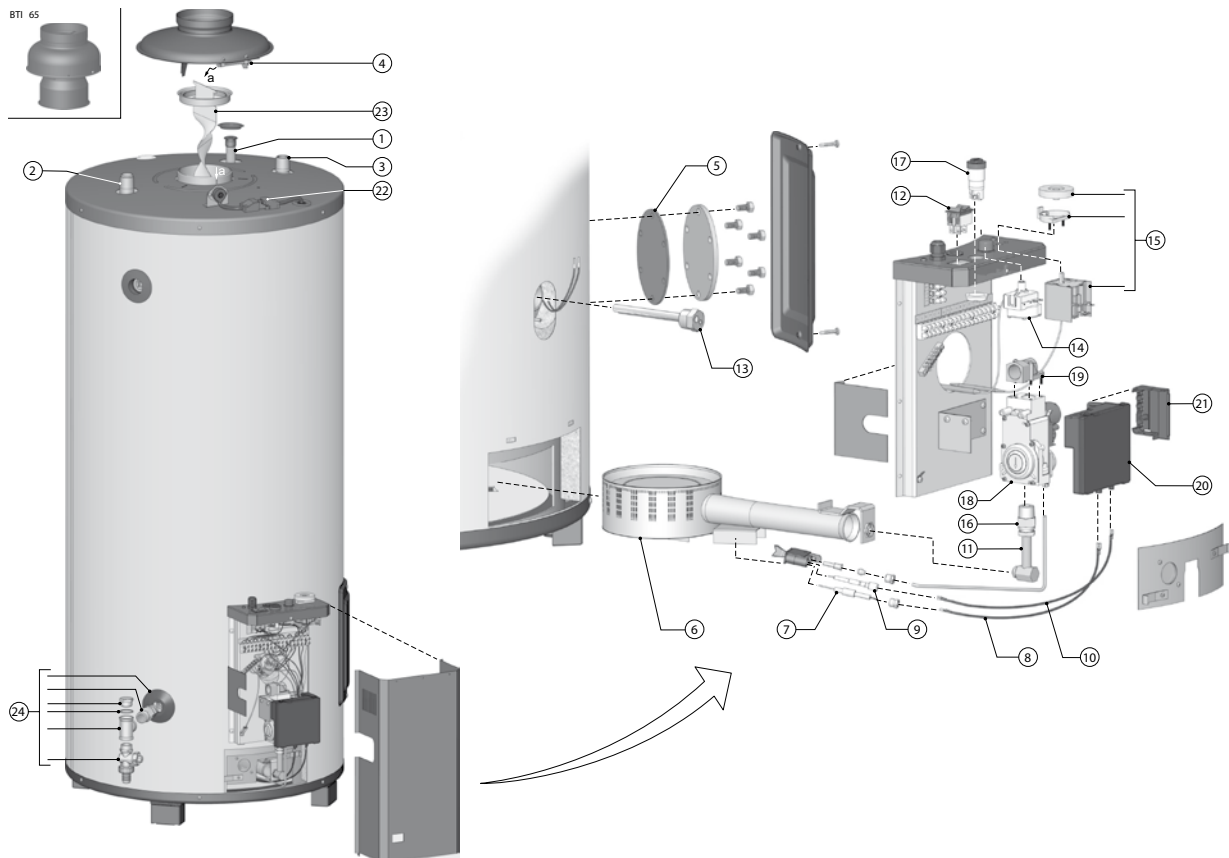


**EVD-0015 BEFORE 1-7-'07**



**EVD-0040 Cross-fired flue AFTER 1-7-'07**

# Exploded view BTI



**EVD-0026 BEFORE 1-7-'07**

