

# COF + exploded view COF

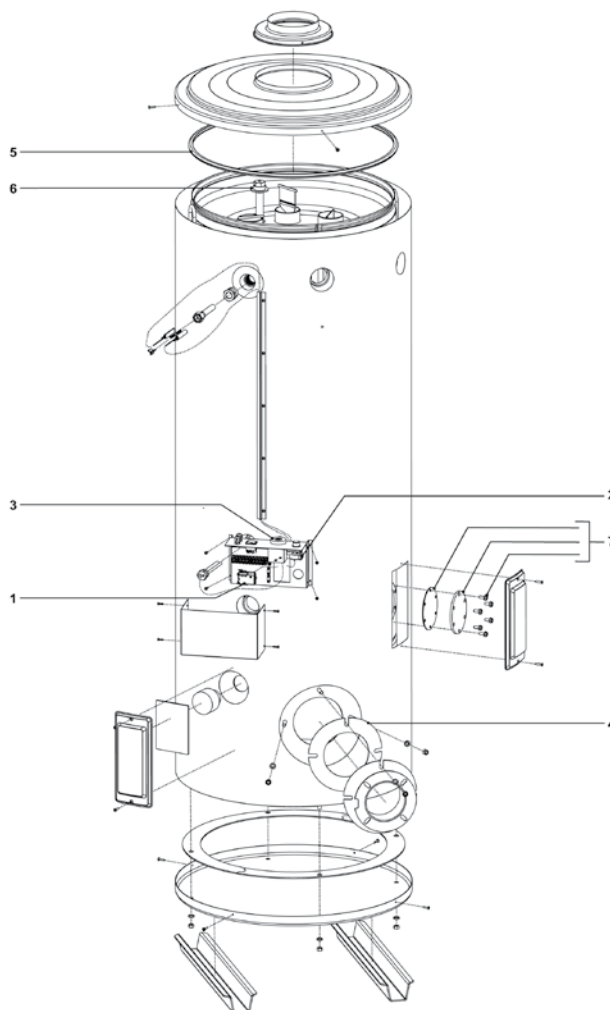
## COF parts



no	description	199	245	315	385	455	700
1	High-limit thermostat (84°)	0302991(S)	0302991(S)	0302991(S)	0302991(S)	0302991(S)	0302991(S)
2	Safety thermostat (95°)	0304855(S)	0304855(S)	0304855(S)	0304855(S)	0304855(S)	0304855(S)
3	Control thermostat (40- 80°)	0303031(S)	0303031(S)	0303031(S)	0303031(S)	0303031(S)	0303031(S)
4	Gasket burner flange	0305044(S)	0305044(S)	0305044(S)	0305044(S)	0305044(S)	0305044(S)
5	Sealant U-profile	0305098(S)	0305098(S)	0305098(S)	0305098(S)	0305098(S)	0305098(S)
6	Anode	2x 0183463039(S)	2x 0183463039(S)	2x 0183463039(S)	2x 0183463039(S)	3x 0183463039(S)	4x 0183463039(S)
	Flexible anode	0304728(S)	0304728(S)	0304728(S)	0304728(S)	0304728(S)	0304728(S)
7	Cleaning opening set	0305082(S)	0305082(S)	0305082(S)	0305082(S)	0305082(S)	0305082(S)

## COF accessories

description	date	199	245	315	385	455	700
Conversion set to LP-gas		0305130(S)	0305130(S)	0305131(S)	0305131(S)	0305131(S)	0305131(S)
Conversion set to NAT-gas		0305215(S)	0305215(S)	0305216(S)	0305216(S)	0305216(S)	0305216(S)
Oil orifice		0305135(S)	0305136(S)	0305137(S)	0305138(S)	0305139(S)	0305140(S)
Protected cold supply setup 1"		0070066003(S)	0070066003(S)	0070066003(S)	0070066003(S)	0070066003(S)	0070066003(S)
T&P valve		0099383005(S)	0099383005(S)	0099383005(S)	0099383005(S)	0099383005(S)	0099383005(S)
Electric anode kit	after 1-8-'06	0308018(S)	0308018(S)	0308018(S)	0308018(S)	0308018(S)	0308018(S)
Burner assy NAT-gas		0305141(S)	0305141(S)	0305143(S)	0305143(S)	0305143(S)	0305217(S)
Burner assy LP-gas		0305142(S)	0305142(S)	0305144(S)	0305144(S)	0305144(S)	0305218(S)
Gas Control		0305128(S)	0305128(S)	0305128(S)	0305129(S)	0305129(S)	0305129(S)



EVD-0016