

SGE before 22-10-'09

SGE parts

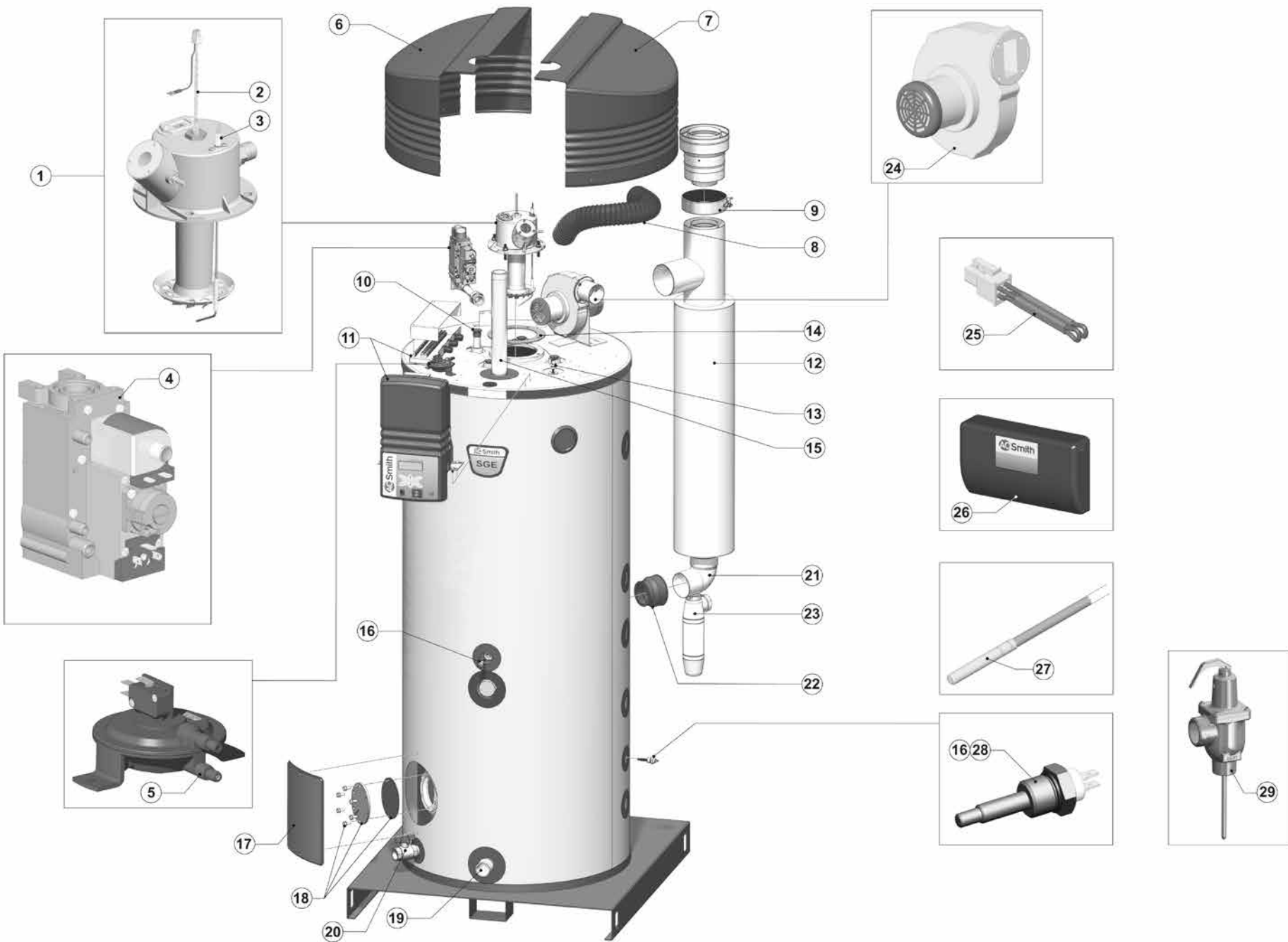


no	description	date	40	60
1	Burner NAT-gas Burner LP-gas		0304085(S) 0304086(S)	0308889(S) 0308906(S)
2	Hot surface igniter		0304079(S)	0304079(S)
3	Flame probe		0192478(S)	0192478(S)
4	Gas control		0300808(S)	0300808(S)
5	Differential air pressure switch		0309054(S)	0308872(S)
6	Left plastic top cover		0304881(S)	0304881(S)
7	Right plastic top cover		0304882(S)	0304882(S)
8	Air supply hose		0304035(S)	0304035(S)
9	Clamping strip Ø 130 mm		0305027(S)	0305027(S)
11	Appliance control service kit		0308882(S)	0308882(S)
12	Transition piece damper		0304987(S)	0304987(S)
13	Temperature sensor T2 (top tank)		0304469(S)	0304469(S)
14	Gasket burner/tank		0192331(S)	0192331(S)
15	Hot water outlet nipple		0304017(S)	0304017(S)
16	Temperature sensor T1 (bottom tank)		0308149(S)	0308149(S)
17	Cover plate cleaning opening		0039137002/24(S)	0039137002/24(S)
18	Cleaning opening set		0305082(S)	0305082(S)
19	Cold water inlet nipple		0070615(S)	0070615(S)
20	Drain valve		0308997(S)	0308997(S)
21	Bend		0304986(S)	0304986(S)
22	Adapting socket		0192636(S)	0192636(S)
23	Siphon		0307725(S)	0307725(S)
24	Fan kit		0304104(S)	0304104(S)
25	Flue gas sensor		0304301(S)	0304301(S)
26	Solar system control service kit		0308874(S)	0308874(S)
27	Temperature sensor S1 (in solar collector)		0308904(S)	0308904(S)
28	Temperature sensor S2 (in solar heat exchanger)		0308149(S)	0308149(S)
29	T&P valve		0099383005(S)	0099383005(S)

SGE accessories

description	date	40	60
Conversion kit LP-gas		0309047(S)	0308988(S)
Conversion kit NAT-gas		0309048(S)	0308989(S)
Gas Cock ¾"		0300719(S)	0300719(S)
Protected cold supply setup G1"		0070066003(S)	0070066003(S)
Reducing Nipple Rp1½"x 22 mm press		0309411(S)	0309411(S)
Reducing Nipple Rp1½"x 28 mm press		0309412(S)	0309412(S)
Reducing Nipple Rp1½"x 35 mm press		0309413(S)	0309413(S)
Dummy (sensor solarkit)		0309152(S)	0309152(S)
Isolating transformer		0306054(S)	0306054(S)
Power Anode set		0309217(S)	0309217(S)
T&P Valve 150 psi		0099383005(S)	0099383005(S)
Extension nipple T&P		0306713(S)	0306713(S)
Dscale application set		0307564(S)	0307564(S)
Dscale bottle set		0311398(S)	0311398(S)
Combined Flow & Temp. sensor		0309285(S)	0309285(S)

Exploded view SGE before 22-10-'09



EVD-0045

SGE after 22-10-'09

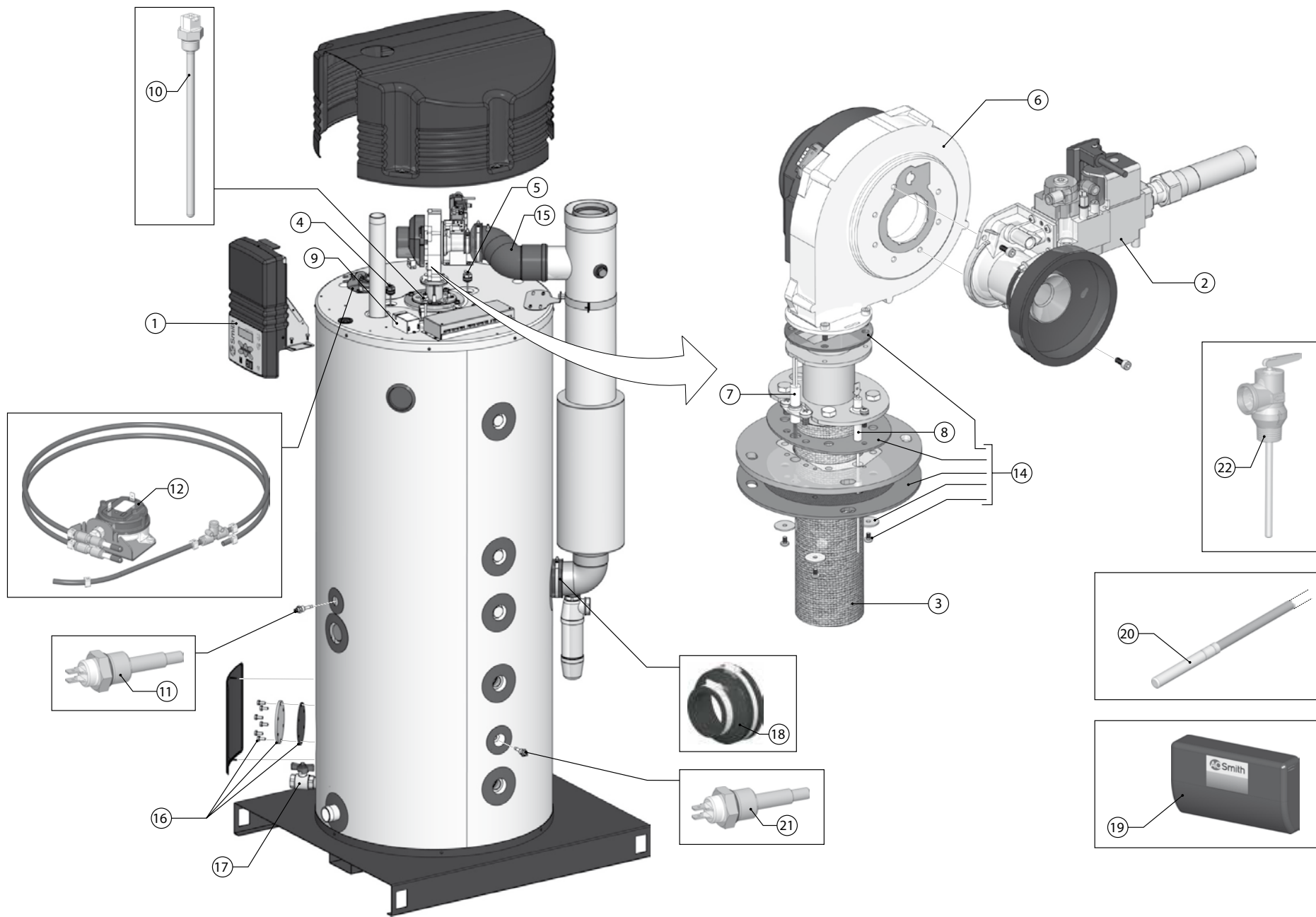
SGE parts

nr	Description	date	40	60
1	Control	before 28-7-'13	0309362(S)	0309362(S)
		after 29-7-'13	0311159(S)	0311159(S)
2	Gas control (NAT-gas) G20	before 3-2-'13	0310186(S)	0310186(S)
		after 4-2-'13	0310155(S)	0310155(S)
	Gas control (NAT-gas) G25	before 30-12-'12	0310187(S)	0310187(S)
		after 31-12-'12	0310156(S)	0310156(S)
	Gas control (LP-gas)	before 3-2-'13	0310188(S)	0310188(S)
		after 4-2-'13	0310157(S)	0310157(S)
3	Burner		0309297(S)	0309297(S)
4	Power Anode		0197709(S)	0197709(S)
5	Power Anode		0197710(S)	0197710(S)
6	Fan		0309159(S)	0309159(S)
7	Glow igniter		0309232(S)	0309232(S)
8	Flame probe		0310075(S)	0310075(S)
9	Potentiostat		0306160(S)	0306160(S)
10	Temperature Sensor (top of tank)		0304469(S)	0304469(S)
11	Temperature Sensor (bottom of tank)		0308149(S)	0308149(S)
12	Differential air pressure switch		0309169(S)	0309169(S)
13	Harness		0309136(S)	0309136(S)
14	Gaskets		0309608(S)	0309608(S)
15	Air inlet		0309148(S)	0309148(S)
16	Cleaning opening		0305082(S)	0305082(S)
17	Drain valve		0026273004(S)	0026273004(S)
18	Plastic adapting socket (exit heat exchanger)		0192636(S)	0192636(S)
19	Solar system control	before 28-7-'13	0308874(S)	0308874(S)
		after 29-7-'13	0311055(S)	0311055(S)
20	Temperature Sensor (collector)		0308904(S)	0308904(S)
21	Temperature Sensor (small heat exchanger)		0308149(S)	0308149(S)
22	Reducing valve	after 4-2-'13	0310180(S)	0310180(S)

SGE accessories

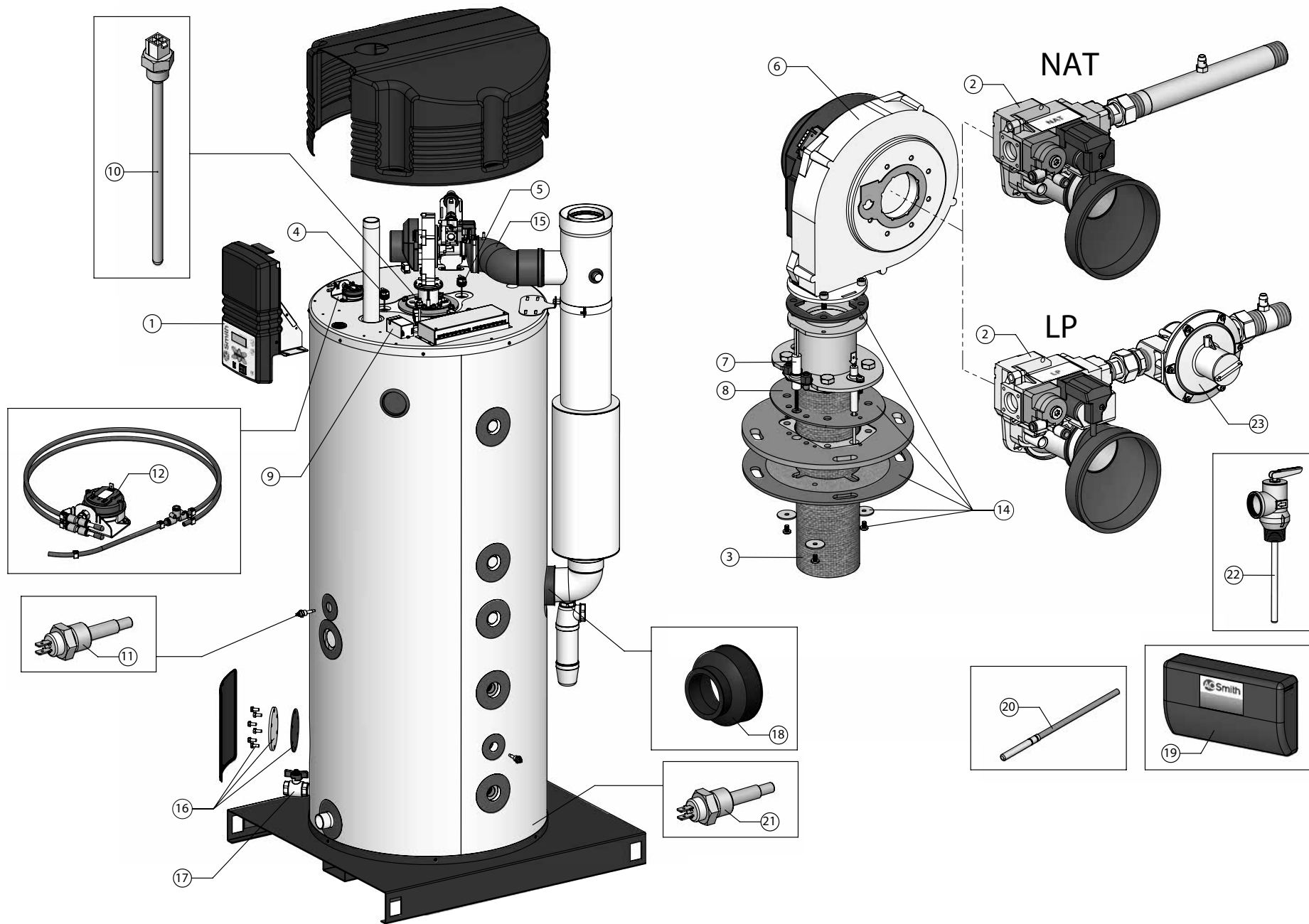
Description	date	40	60
Conversion kit to LP-gas (NL only)	before 30-12-'12	0309540(S)	0309540(S)
Conversion kit to LP-gas	before 3-2-'13	0309540(S)	0309540(S)
Conversion kit to LP-gas (NL only)	after 31-12-'12	0310936(S)	0310936(S)
Conversion kit to LP-gas	after 4-2-'13	0310936(S)	0310936(S)
Conversion kit to NAT-gas	before 30-12-'12	0309541(S)	0309541(S)
Conversion kit to NAT-gas	before 3-2-'13	0309541(S)	0309541(S)
Conversion kit to NAT-gas	after 31-12-'12	0310937(S)	0310937(S)
Conversion kit to NAT-gas	after 4-2-'13	0310937(S)	0310937(S)
Gas Cock		0300719(S)	0300719(S)
Protected cold supply		0070066003(S)	0070066003(S)
T&P valve NO WRAS		0099383005(S)	0099383005(S)
Reducing Nipple (for T&P)		0306713(S)	0306713(S)
Reducing Nipple Rp1½"x 22 mm press		0309411(S)	0309411(S)
Reducing Nipple Rp1½"x 28 mm press		0309412(S)	0309412(S)
Reducing Nipple Rp1½"x 35 mm press		0309413(S)	0309413(S)
Combined flow & temperature sensor		0309285(S)	0309285(S)
Dummy (sensor solarkit)		0309152(S)	0309152(S)
Isolation transformer		0309887(S)	0309887(S)
BMS interface		0310013(S)	0310013(S)
Remote display		0309999(S)	0309999(S)
Expansion valve ½" 8 bar		0305712(S)	0305712(S)
Inlet security set DN40		0309927(S)	0309927(S)
Dscale application set		0307564(S)	0307564(S)
Dscale bottle set		0311398(S)	0311398(S)
Extension cable collection sensor 5 mtr		0309197(S)	0309197(S)

Exploded view SGE from 22-10-'09 until 3-2-'13



EVD-0056 R0

Exploded view SGE after 4-2-'13



EVD-0056 R1